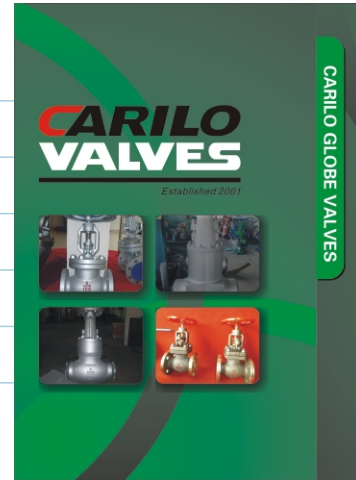
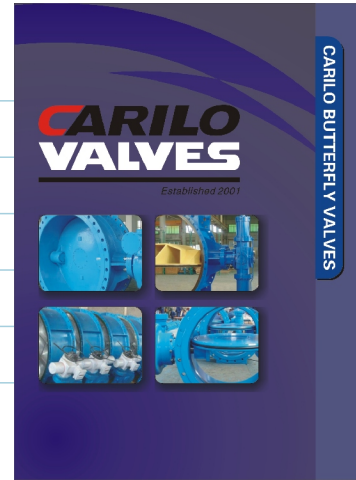


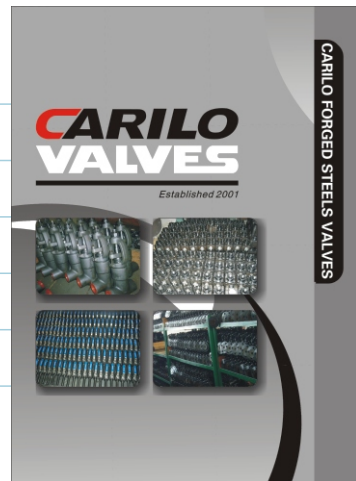
GATE VALVES



GLOBE VALVES



BUTTERFLY VALVES



FORGED STEELS VALVES

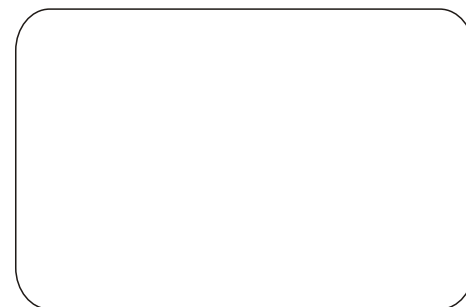


BALL VALVES

CARILLO

Carilo Valve Co., Ltd

Add: Wuxing Industrial Zone, Oubei Town, Wenzhou, Zhejiang, China. Zipcode: 325102
 Tel: +86 577 57766888 57766889
 Fax: +86 577 57766880
 Email: sales@carilovalve.com
 Web: www.carilovalve.com



CARILLO VALVES

Established 2001



CARILLO CHECK VALVES

API Check Valve

API Check Valve

Standards

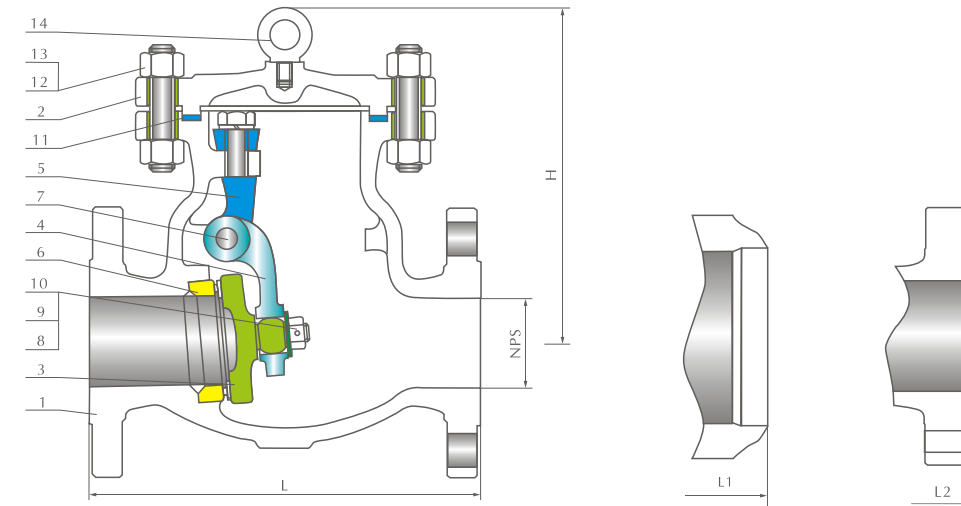
Design and manufacture as BS1868,ANSI B16.34
Face to face dimensions as ANSI B16.10
End flange dimension as per ANSI B16.5
Pressure-temperature ratings as ANSI B16.34
Pressure test as API 598

Test Pressure

Test Item		Shell Test		Seal Test		Back Seal Test		Air Seal Test	
Medium		Water						Air	
Unit		MPa	lbf/in ²	MPa	lbf/in ²	MPa	lbf/in ²	MPa	lbf/in ²
Pressure (Class)	150	3.1	450	2.2	315	2.2	315	0.5-0.7	60-100
	300	7.8	1125	5.6	815	5.6	815		
	400	10.3	1500	7.6	1100	7.6	1100		
	600	15.3	2225	11.2	1630	11.2	1630		
	900	23.1	3350	16.8	2440	16.8	2440		
	1500	38.4	5575	28.1	4080	28.1	4080		

Materials for Main Parts

Name	Material									
Body Bonnet Wedge	A216 WCB	A352 LCB	A217 WC6	A217 WC9	A217 C5	A351 CF8	A351 CF8M	A351 CF3	A351 CF3M	
Stem	A182 F6	A182 F304				A182 F316	A182 F304L	A182 F316L		
Bonnet Bolt	A193-B7 A320-L7 A193-B8									
Nut	A194-2H A194-7 A194-8									



Materials of parts

No .	Part name	ASTM Material		
		Carbon steel	1 1/4Cr- 1/2Mo	Carbon steel
1	Body	A216-WCB	A217-WC6	A352-LCB
2	Bonnet cap	A216-WCB	A217-WC6	A352-LCB
3	Disc ¹⁾	A105+CR13	A182-F11+HF	A350-LF+CR13
4	Hinge	A216-WCB	A217-WC6	A352-LCB
5	Support	A216-WCB	A217-WC6	A352-LCB
6	Seat ring	A105+CR13	A182-F11+HF	A350-LF2+CR13
7	Hinge pin	A276-420	A276-304	A276-420
8	Disc washer	Carbon steel	A276-304	Carbon steel
9	Disc nut	Carbon steel	A194-7	Carbon steel
10	Disc nut pin	Carbon steel	A276-420	Carbon steel
11	Bonnet gasket	Spiral wound (Graphite+304)		
12	Bonnet stud	A193-B7	A193-B16	A320-L7
13	Bonnet stud nut	A194-2H	A194-7	A194-4
14	Eyebolt ²⁾	Carbon steel		

API Check Valve

API Check Valve

■ Dimensions data

150LB

Size	in	2	2 1/2	3	4	6	8	10	12	14	16	18	20	24	26	28	30	36
	mm	50	65	80	100	150	200	250	300	350	400	450	500	600	650	700	750	900
L/L1 (RF/BW)	in	8.00	8.50	9.50	11.50	14.00	19.50	24.50	27.50	31.00	34.00	38.50	38.50	51.00	51.00	57.00	60.00	77.00
	mm	203	216	241	292	356	495	622	699	787	864	978	978	1295	1295	1448	1524	1956
L2 (RTJ)	in	8.50	9.00	10.00	12.00	14.50	20.00	25.00	28.00	31.50	34.50	39.00	39.00	51.50	-	-	-	-
	mm	216	229	254	305	368	508	635	711	800	876	991	991	1308	-	-	-	-
H	in	6.00	6.50	6.88	8.00	11.50	13.88	15.38	17.00	18.75	20.62	22.88	24.62	34.75	35.88	37.00	38.62	48.00
	mm	152	165	175	204	293	353	390	432	475	525	582	627	883	910	940	980	1220
WT (Kg)	RF/RTJ	14	20	25	40	71	118	177	263	353	542	632	855	970	1275	1600	1990	2760
	BW	10	12	17	29	57	96	143	227	295	468	552	755	831	1120	1420	1760	2230

■ Dimensions data

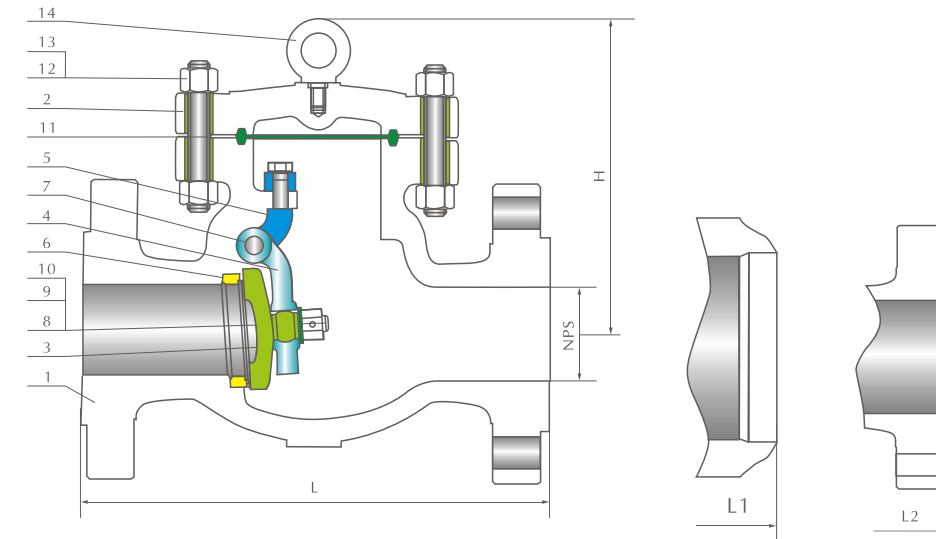
300LB

Size	in	2	2 1/2	3	4	6	8	10	12	14	16	18	20	24	26	28	30	36
	mm	50	65	80	100	150	200	250	300	350	400	450	500	600	650	700	750	900
L/L1 (RF/BW)	in	10.50	11.50	12.50	14.00	17.50	21.00	24.50	28.00	33.00	34.00	38.50	40.00	53.00	53.00	59.00	62.75	82.00
	mm	267	292	318	356	445	533	622	711	838	864	978	1016	1346	1346	1490	1594	2083
L2 (RTJ)	in	11.12	12.12	13.12	14.62	18.12	21.62	25.12	28.62	33.62	34.62	39.12	10.75	53.88	54.00	60.00	63.75	-
	mm	283	308	333	371	460	549	638	727	854	879	994	1035	1368	1372	1524	1619	-
H	in	6.00	6.50	6.88	8.00	11.50	13.88	15.38	17.00	18.75	20.62	22.88	24.62	34.75	35.88	37.00	38.62	48.00
	mm	152	165	175	204	292	353	390	432	475	525	582	627	883	910	940	980	1220
WT (Kg)	RF/RTJ	16	23	29	46	82	136	204	302	405	625	730	985	1115	1465	1840	2290	3180
	BW	11	12	18	31	61	103	155	245	315	503	593	512	895	1205	1525	1895	2395

■ Dimensions data

600LB

Size	in	2	2 1/2	3	4	6	8	10	12	14	16	18	20	24
	mm	50	65	80	100	150	200	250	300	350	400	450	500	600
L/L1 (RF/BW)	in	8.00	8.50	9.50	11.50	14.00	19.50	24.50	27.50	31.00	34.00	38.50	38.50	51.00
	mm	203	216	241	292	356	495	622	699	787	864	978	978	1295
L2 (RTJ)	in	8.50	9.00	10.00	12.00	14.50	20.00	25.00	28.00	31.50	34.50	39.00	39.00	51.50
	mm	216	229	254	305	368	508	635	711	800	876	991	991	1308
H	in	6.00	6.50	6.88	8.00	11.50	13.88	15.38	17.00	18.75	20.62	22.88	24.62	34.75
	mm	152	165	175	204	293	353	390	432	475	525	582	627	883
WT (Kg)	RF/RTJ	14	20	25	40	71	118	177	263	353	542	632	855	970
	BW	10	12	17	29	57	96	143	227	295	468	552	755	831



■ Dimensions data

Size	in	2	2 1/2	3	4	6	8	10	12	14	16	18	20	24
	mm	50	65	80	100	150	200	250	300	350	400	450	500	600
L/L1 (RF/BW)	in	4.50	16.50	15.00	18.00	24.00	29.00	33.00	38.00	40.50	44.50	48.00	52.00	-
	mm	368	419	381	457	610	737	838	965	1029	1130	1219	1321	-
L2 (RTJ)	in	14.62	16.62	15.12	18.12	24.12	29.12	33.12	38.12	40.88	44.88	48.50	52.50	-
	mm	371	422	384	460	613	740	841	968	1038	1140	1232	1334	-
H	in	9.50	10.00	11.00	12.50	18.12	22.00	24.00	26.50	29.38	32.00	33.50	38.75	-
	mm	240	256	278	320	460	560	610	675	745	815	850	985	-
WT (Kg)	RF/RTJ	37	54	68	109	195	321	481	711	956	1468	1870	2316	-
	BW	21	25	34	58	115	194	290	461	597	950	1210	1533	-

■ Dimensions data

Size	in	2	2 1/2	3	4	6	8	10	12	14	16
	mm	50	65	80	100	150	200	250	300	350	400
L/L1 (RF/BW)	in	14.50	16.50	18.50	21.50	27.75	32.75	39.00	44.50	49.50	54.50
	mm	368	419	470	546	705	832	991	1130	1257	1384
L2 (RTJ)	in	14.62	16.62	18.62	21.62	28.00	33.12	39.38	45.12	50.25	55.38
	mm	371	422	473	549	711	841	1000	1146	1276	1407
H	in	9.50	10.00	13.00	14.75	18.88	23.50	26.00	29.12	30.88	32.88
	mm	240	256	330	375	480	595	660	740	785	835
WT (Kg)	RF/RTJ	40	63	70	115	250	470	740	1100	1410	1600
	BW	29	47	49	84	152	310	470	710	910	1100